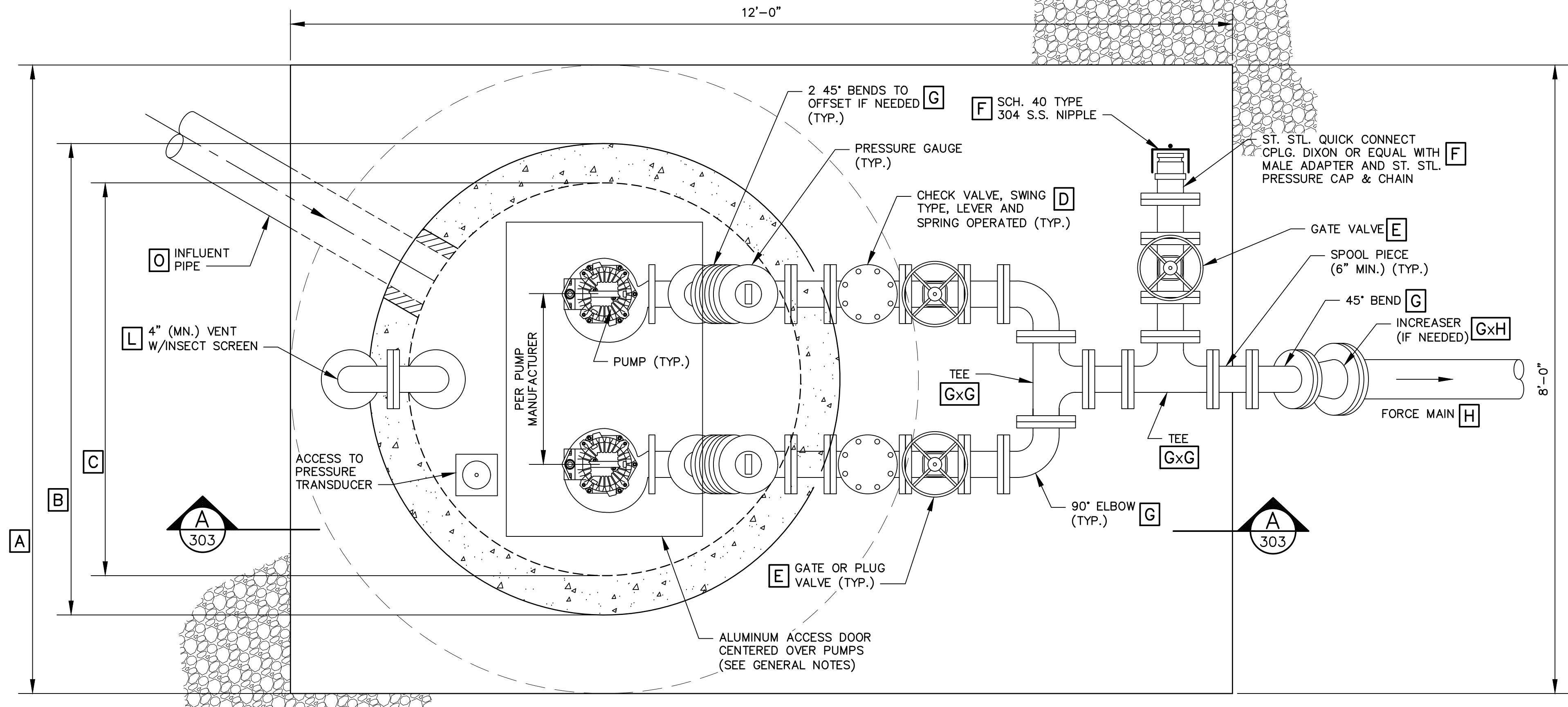
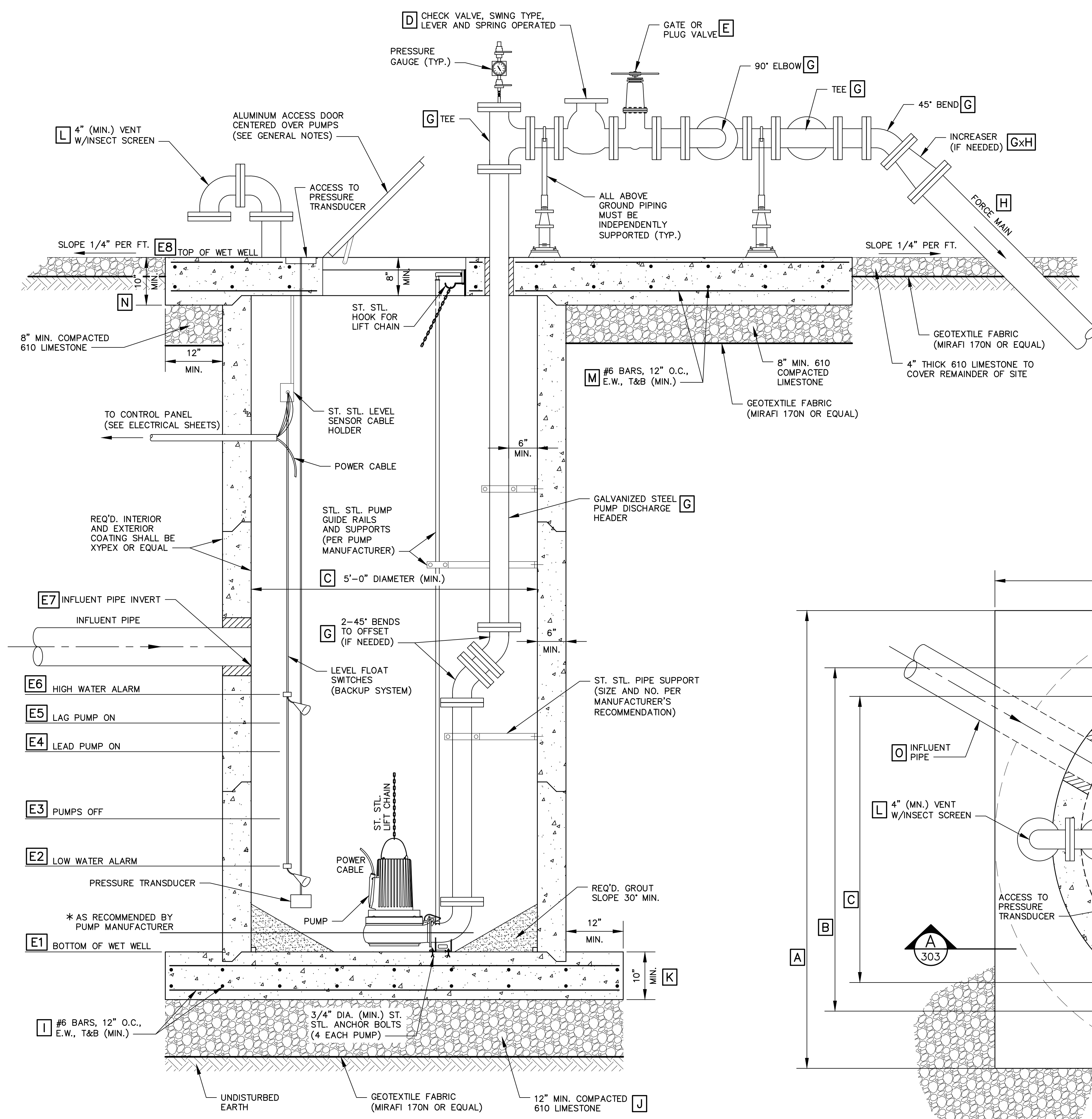


**GENERAL/Generic INFORMATION PROVIDED HEREIN SHALL BE REVIEWED BY THE DESIGN ENGINEER FOR APPLICABILITY TO ACTUAL STATION. MINIMUM REQUIREMENTS ARE GIVEN HOWEVER THE DESIGN ENGINEER SHALL BE "ENGINEER OF RECORD" ON EACH SPECIFIC APPLICATION/DESIGN.**

**UTILITY WARNING**  
 The Contractor is advised that existing overhead and underground utilities such as (but not limited to) electrical lines and poles, telephone cable, gas lines, water lines, and sanitary sewers exist in the rights-of-way where the proposed improvements are to be installed, all in accordance with the provisions of R.S. 38:2223. It shall be the Contractor's responsibility to protect these existing utilities during the construction of the work to be installed under this Contract and any damage to the existing utilities caused by the negligent acts of the Contractor shall be repaired by the Contractor at his expense. The Contractor shall contact Louisiana One (1) Call (1-800-272-3020) a minimum of 48 hours prior to beginning construction in the work area.

- GENERAL NOTES:**
1. PIPING MAY BE SHOWN ROTATED FOR CLARITY.
  2. WET WELL INTERIOR AND ALL EXPOSED D.I. PIPING AND VALVES SHALL BE COATED IN ACCORDANCE WITH THE SPECIFICATIONS.
  3. ALL REINFORCING SHALL BE ASTM 615 GRADE 60, #6 BARS @ 12" CENTER TO CENTER, EACH WAY, TOP AND BOTTOM AS SHOWN. PROVIDE ADDITIONAL BARS AROUND OPENING..
  4. ALL FASTENERS IN WET WELL SHALL BE 316 STAINLESS STEEL.
  5. ACCESS DOORS/HATCHES SHALL BE ALUMINUM W/316 STAINLESS STEEL HARDWARE AND FALL PROTECTION GRATING (BILCO JD OR EQUAL).
  6. CONTROL PANEL AND ELECTRICAL NOT SHOWN, REFER TO ELECTRICAL DRAWINGS.
  7. REFER TO SHEET 304 FOR SITE PLAN (MIN. 20'x20')
  8. REFER TO SHEET 306 FOR FENCE DETAILS.
  9. REFER TO STANDARD SPECIFICATIONS FOR PUMPS AND CONTROLS.
  10. PIPING SHALL BE MINIMUM 2" DIAMETER, IF 3" DIAMETER OR LARGER THEN DUCTILE IRON PIPE SHALL BE USED.



**SECTION - SUBMERSIBLE PUMP STATION**  
 303 N.T.S.

**PLAN - SUBMERSIBLE PUMP STATION**  
 N.T.S.

DESIGN ENGINEER STAMP AND SIGNATURE HERE

C:\11355\Standard Plans\303-304 Submersible Pump Station - ST GABRIEL.dwg [303] Mar 15, 2021 - 7:44am by tommy

DATE	ISSUED FOR REVIEW	TAA	DATE	REVISIONS	BY
2/2018	ISSUED FOR REVIEW	TAA			

**CITY OF ST. GABRIEL, LOUISIANA**  
 OWNER

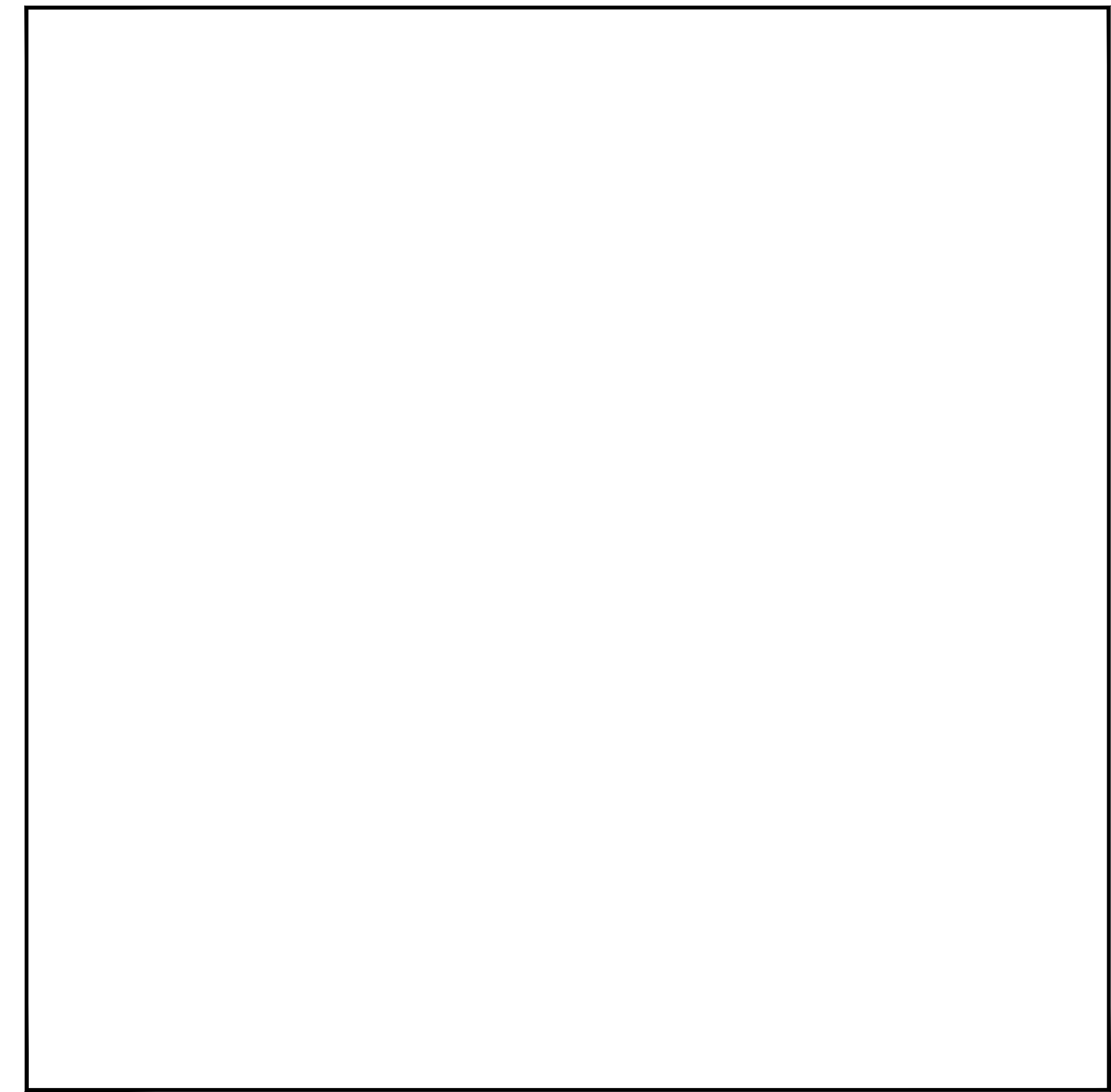
**SUBDIVISION DEVELOPMENT CONSTRUCTION STANDARD PLANS**  
**SUBMERSIBLE PUMP STATION**  
**PLAN, SECTION & GENERAL NOTES**  
 TITLE

DESIGNED: TAA	SCALE: AS SHOWN
DRAWN: TLB	DATE: OCTOBER 2017
CHECKED:	
APPROVED:	

**PEC PROFESSIONAL ENGINEERING CONSULTANTS CORPORATION**  
 7600 Innovation Park Dr. | Baton Rouge, LA 70820 | 225.769.2810

PROJECT NO. 11355  
 SHEET NO. 303

DUPLEX PUMP SCHEDULE (P-01, P-02)	
PUMPS SHALL BE FLYGT SERIES 3000 MP AND SHALL BE ___ HP (MAX.), _____ EFF. (MIN.). EACH PUMP SHALL BE CAPABLE OF PUMPING _____ GPM AT _____ FEET TOTAL DYNAMIC HEAD (DESIGN POINT).	
FLOW (GPM)	___ ___ <input type="text"/> ___
HEAD (FT.)	___ ___ <input type="text"/> ___



SITE PLAN  
SCALE: 1" = \_\_\_'

PUMP STATION ____		ITEM DESCRIPTION	DIMENSIONS
A	WET WELL BASE DIAMETER		
B	WET WELL OUTSIDE DIAMETER		
C	WET WELL INSIDE DIAMETER		
D	CHECK VALVE		
E	GATE VALVE		
F	EMERGENCY CONNECTION DIAMETER		
G	PUMP DISCHARGE HEADER		
H	FORCE MAIN DIAMETER		
I	WET WELL BASE REINFORCING		
J	WET WELL BEDDING MATERIAL THICKNESS		
K	WET WELL BASE THICKNESS		
L	VENT PIPE DIAMETER		
M	WET WELL TOP REINFORCING		
N	WET WELL TOP THICKNESS		
O	INFLUENT PIPE DIAMETER		

PUMP STATION ____ PUMP CONTROL SETTINGS AND DIMENSIONS		
CONTROL POINT	ELEV.	HEIGHT*
100 YR FLOOD ELEVATION		
NATURAL GROUND @ SITE		
E8	TOP OF WET WELL	
E7	LOWEST INFLUENT INVERT	
E6	HIGH LEVEL ALARM	
E5	LAG PUMP ON	
E4	LEAD PUMP ON	
E3	PUMP OFF	
E2	LOW WATER ALARM	
E1	WET WELL INVERT ELEVATION	

\* HEIGHT FROM INVERT OF WET WELL

DESIGN ENGINEER STAMP AND SIGNATURE HERE

G:\11355\Standard Plans\303-304 Submersible Pump Station - St Gabriel.Lwg [Dwg] Mar 15, 2021 - 7:36am by tommy

DATE	REVISIONS	BY	DATE	REVISIONS	BY
2/2018	ISSUED FOR REVIEW	TAA			

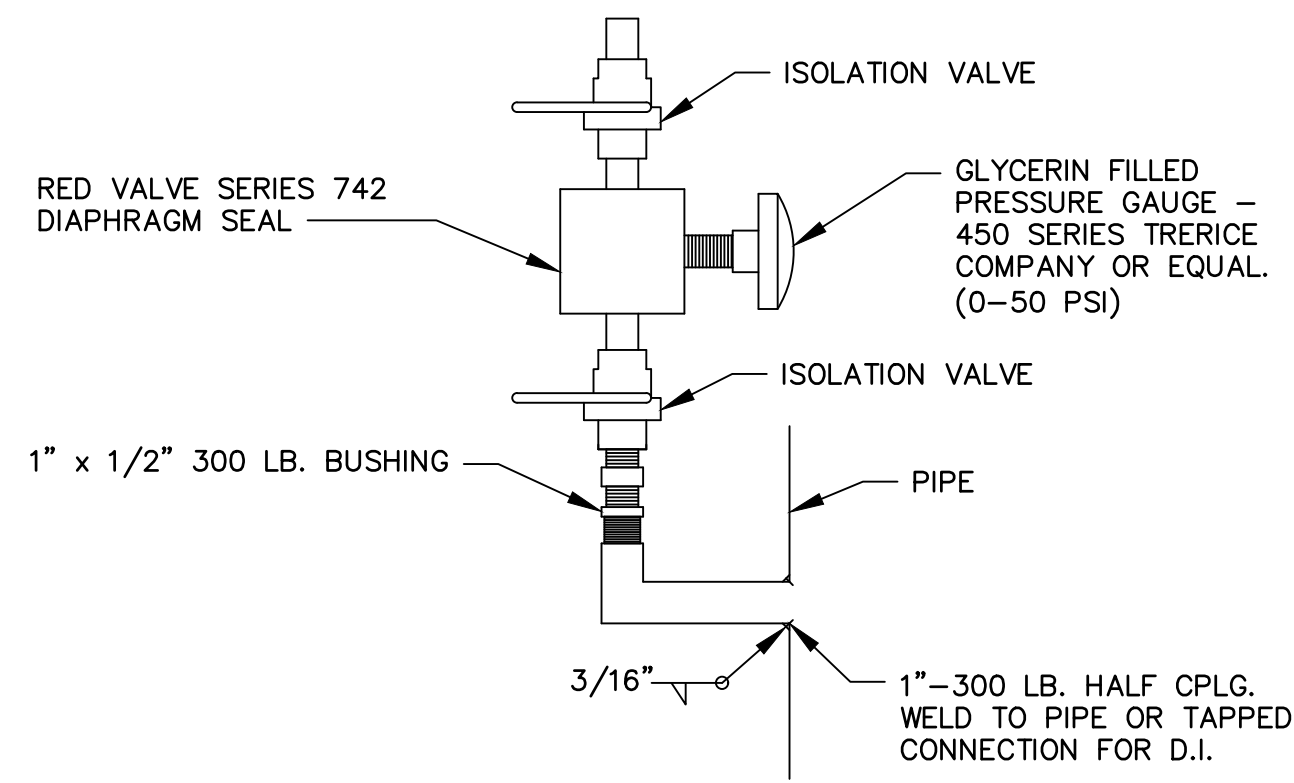
CITY OF ST. GABRIEL,  
LOUISIANA  
OWNER

SUBDIVISION DEVELOPMENT CONSTRUCTION STANDARD PLANS  
SUBMERSIBLE PUMP STATION  
PUMP STATION TABLES AND SITE PLAN  
TITLE

DESIGNED: TAA	SCALE: AS SHOWN
DRAWN: TLB	DATE: OCTOBER 2017
CHECKED:	
APPROVED:	

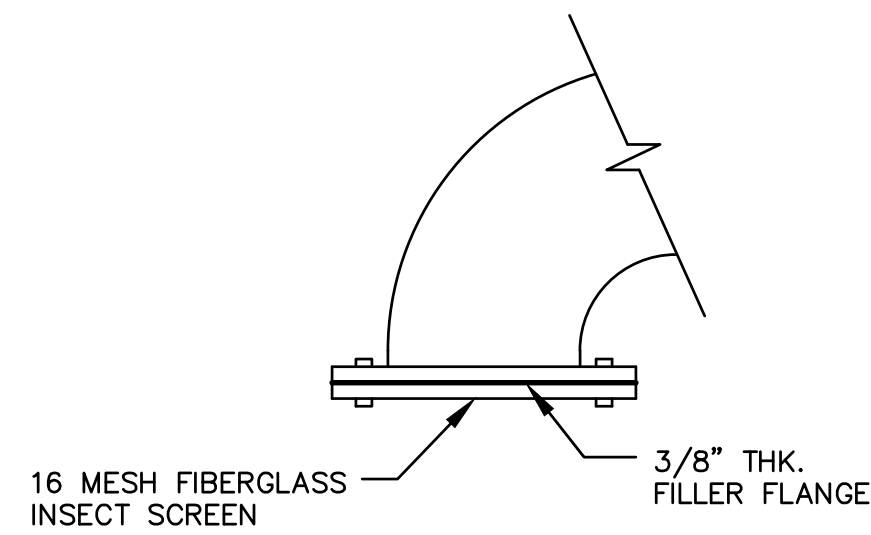


PROJECT NO. 11355  
SHEET NO. 304

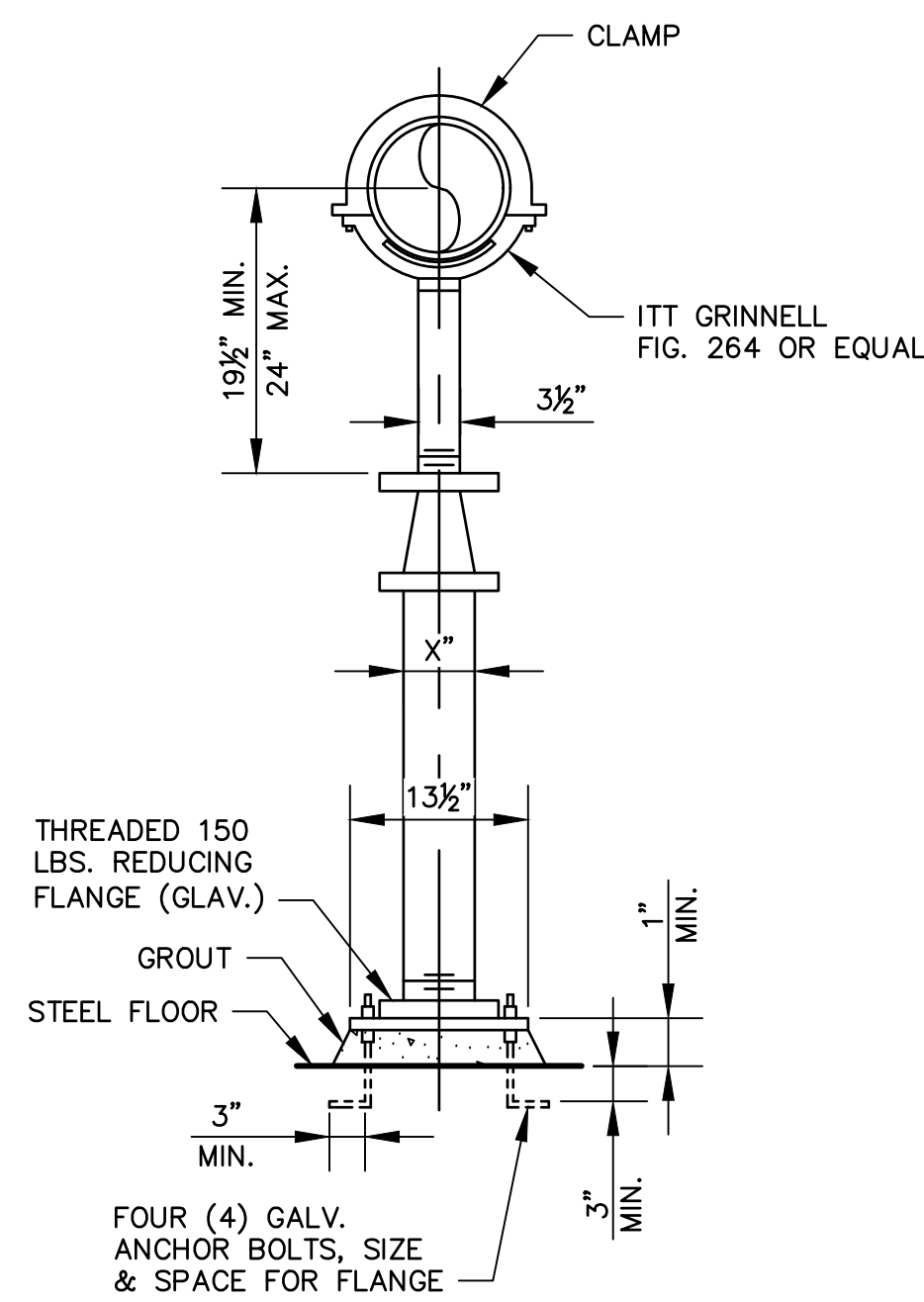


**TYPICAL PRESSURE GAUGE**  
N.T.S.

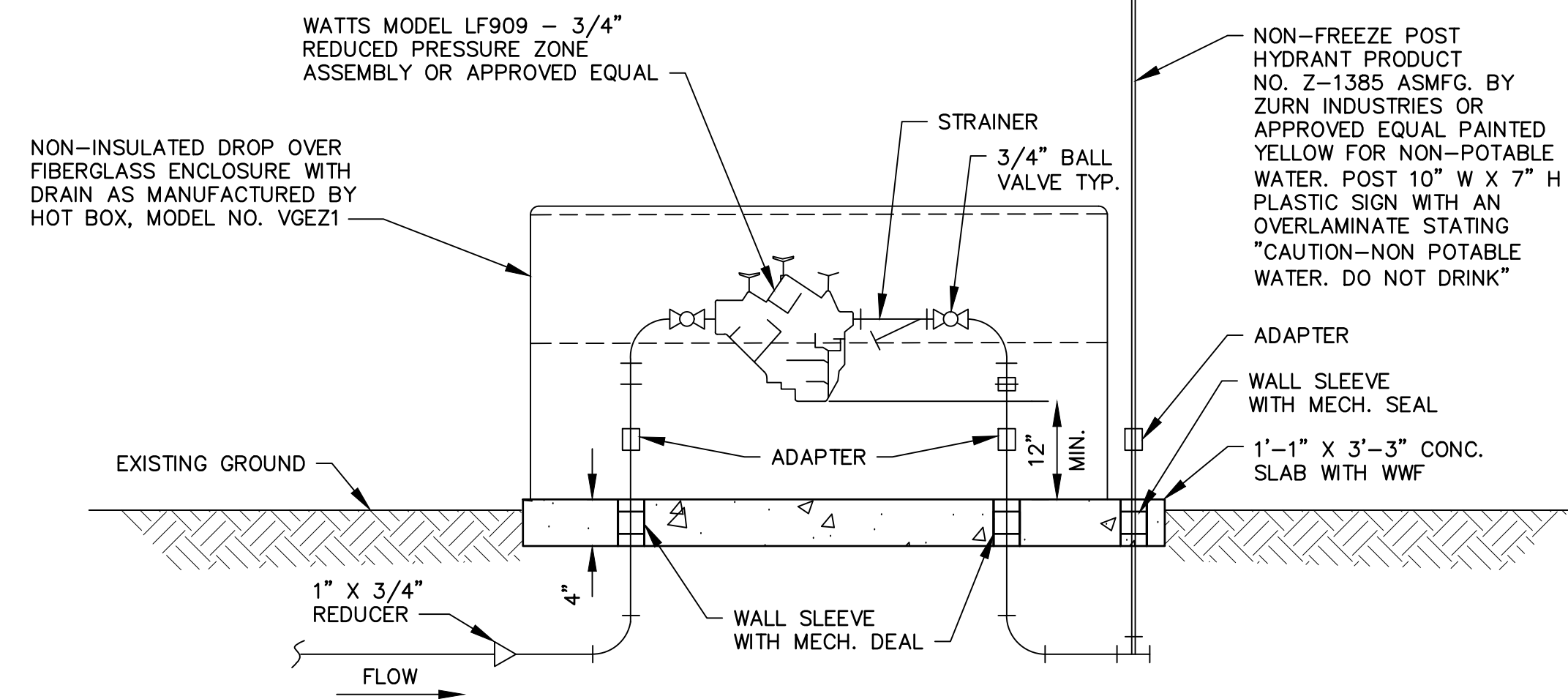
NOTE: ALL FITTINGS, BUSHINGS, ETC. TO BE STAINLESS STEEL



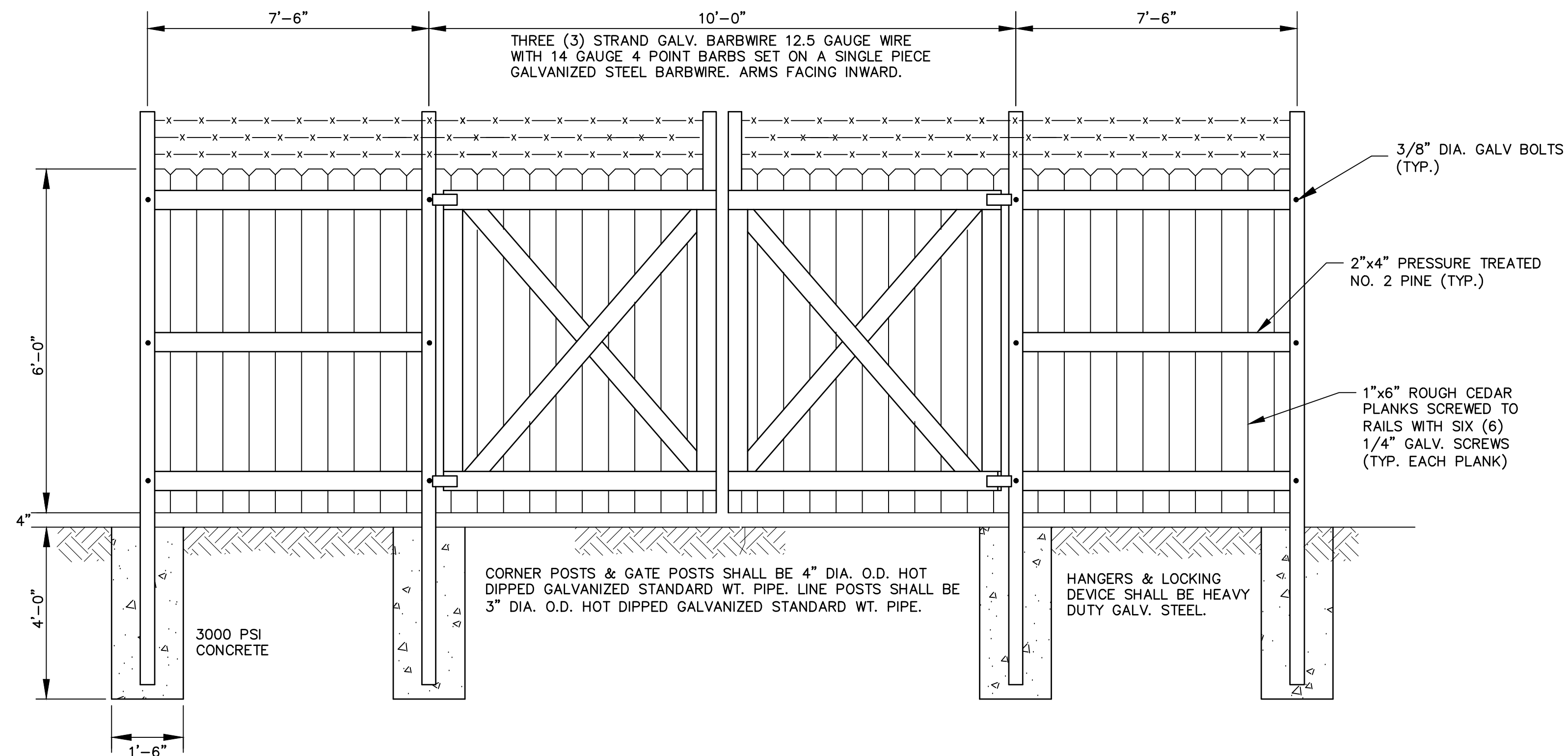
**VENT SCREEN**  
N.T.S.



**ADJUSTABLE PIPE SUPPORT**  
N.T.S.



**ABOVE GROUND  
3/4\"/>
 N.T.S.**



**TYPICAL WOOD FENCE**  
N.T.S.

DESIGN ENGINEER STAMP AND SIGNATURE HERE

C:\11355\Standard Plans\100-306 Typical Pump Station Details - ST GABRIEL.dwg [300] Mar 15, 2021 - 7:44am by tammy

2/2018	ISSUED FOR REVIEW	TAA			
DATE	REVISIONS	BY	DATE	REVISIONS	BY

**CITY OF ST. GABRIEL,  
LOUISIANA**  
OWNER

SUBDIVISION DEVELOPMENT CONSTRUCTION STANDARD PLANS  
MISCELLANEOUS PUMP STATION DETAILS  
TITLE

DESIGNED: TAA	SCALE: AS SHOWN
DRAWN: TLB	DATE: SEPTEMBER 2017
CHECKED:	
APPROVED:	

**PEC** PROFESSIONAL ENGINEERING  
CONSULTANTS CORPORATION  
7600 Innovation Park Dr. | Baton Rouge, LA 70820 | 225.769.2810

PROJECT NO. 11355  
SHEET NO. 305